

No:

SB184-18

Date:

14/06/18

Issue:

1

Subject:

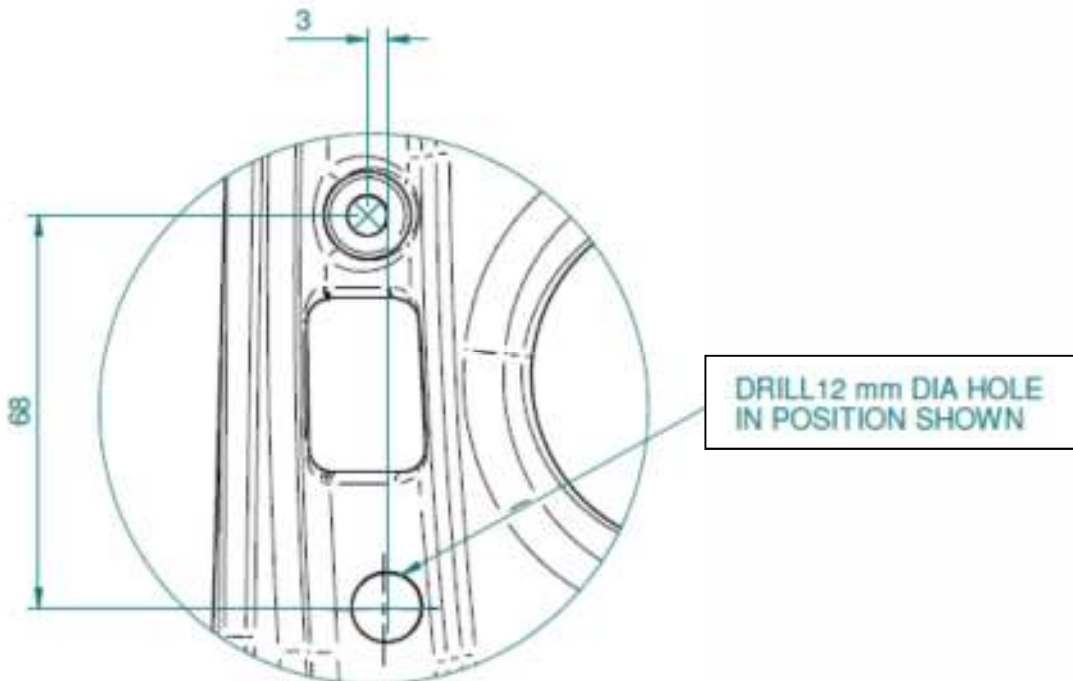
Elite 6 Headlamp Bezel Breather Hole.

It has been brought to Dennis Eagle`s attention that we have been supplied, Elite 6 L/H and R/H headlamp bezels with a breather hole missing. It is recommended at the next service that the front DLR`s are removed and the bezel checked. The hole acts as a breather for the DRL and without it the DRL could suffer from condensation.



Breather hole

If the hole is missing the bezel needs to be reworked as shown below.



Please note: The illustration shows the R/H bezel, the dimensions need to be mirrored to rework the L/H bezel.